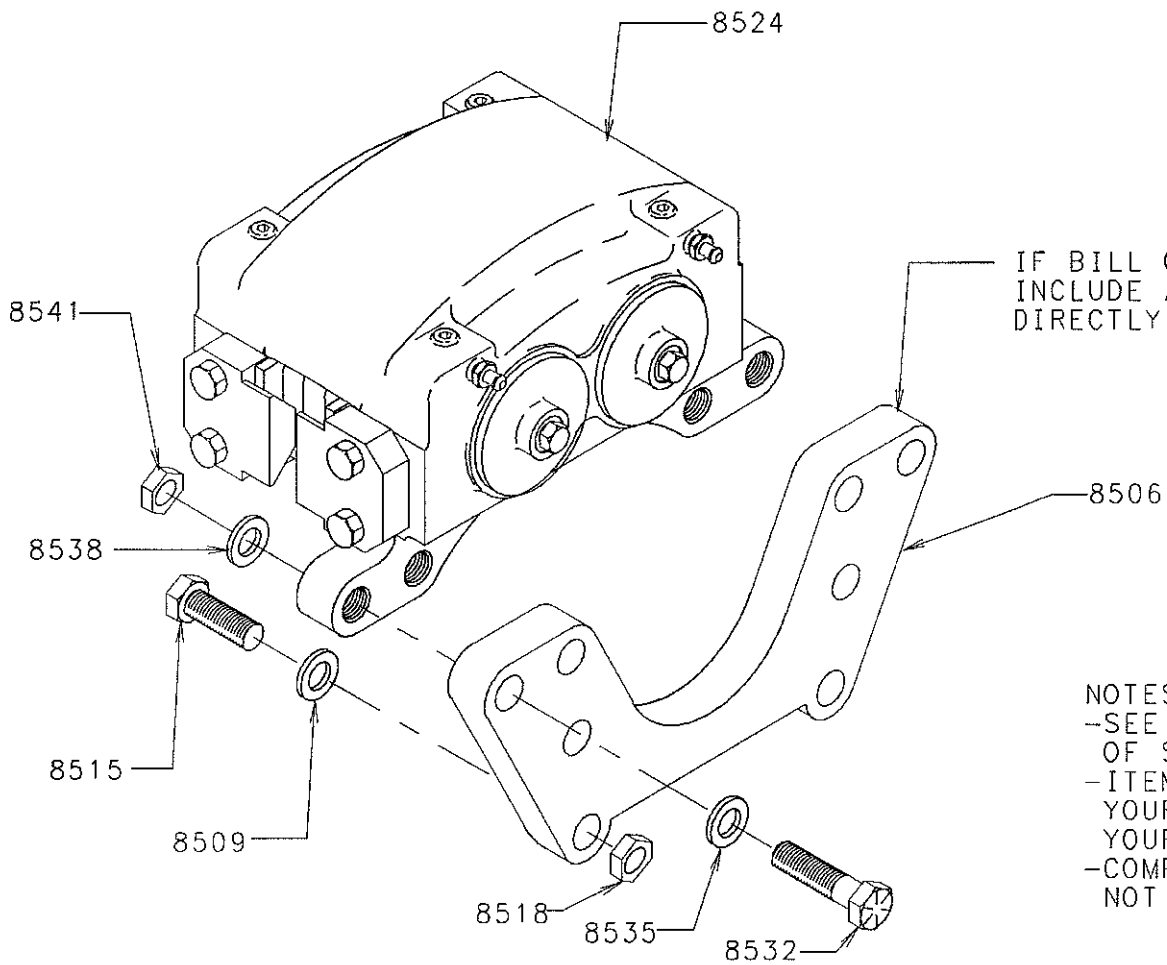


REVISIONS			
A	RELEASE EVB007 FOR PRODUCTION	74601	DMK
		12-13-00	DMK
B	ADDED MTG HARDWARE	77126	DMK
		6-1-01	DMK
C	REMOVED MULTIPLE CALLOUTS	100641	DMK
		7/21/04	DMK



IF BILL OF MATERIAL DOES NOT INCLUDE ADAPTER, BRAKE BOLTS DIRECTLY TO KNUCKLE/HOUSING

NOTES:
 -SEE B/M FOR LOCATION/APPLICATION OF SEALANTS AND ADHESIVES
 -ITEMS SHOWN MAY NOT BE INCLUDED IN YOUR AXLE, CONSULT B/M FOR ITEMS IN YOUR AXLE.
 -COMPONENTS SHOWN ARE GENERIC AND MAY NOT REFLECT EXACT GEOMETRY.

DO NOT CHANGE MANUALLY

CAD CAM CENTER - TROY

APPLY SPECIFIED AXLETECH MARKINGS PER ENGINEERING STANDARD 4-66897	THIS PRINT IS LOANED ON A CONFIDENTIAL BASIS SUBJECT TO RETURN UPON DEMAND BY AXLETECH AND NOTHING HEREON MAY BE REPRODUCED, USED OR DISCLOSED IN WHOLE OR IN PART WITHOUT THE PRIOR WRITTEN PERMISSION OF AXLETECH	MATERIAL	74601	PART/DWG NO.	EVB007	8221
		PROCESS	RELEASE	NAME	CALIPER ASSEMBLY	ENG. DESC. CODE
		APPROVED	PROJ. ENG.	MATERIAL	SPECIAL	DRAWN BY
		PHILIPPI				DMK 12-13-00
		C.R./T.E. NO.	CHECKED BY	SRD ANGLE PROJECTION	DRAWING SIZE	B
		APP. NO.				
		INQUIRY NO.	ORIGINAL FOR	SCALE	DESIGN CONTROL GROUP	PART NO.
				NONE	OFF HIGHWAY	

